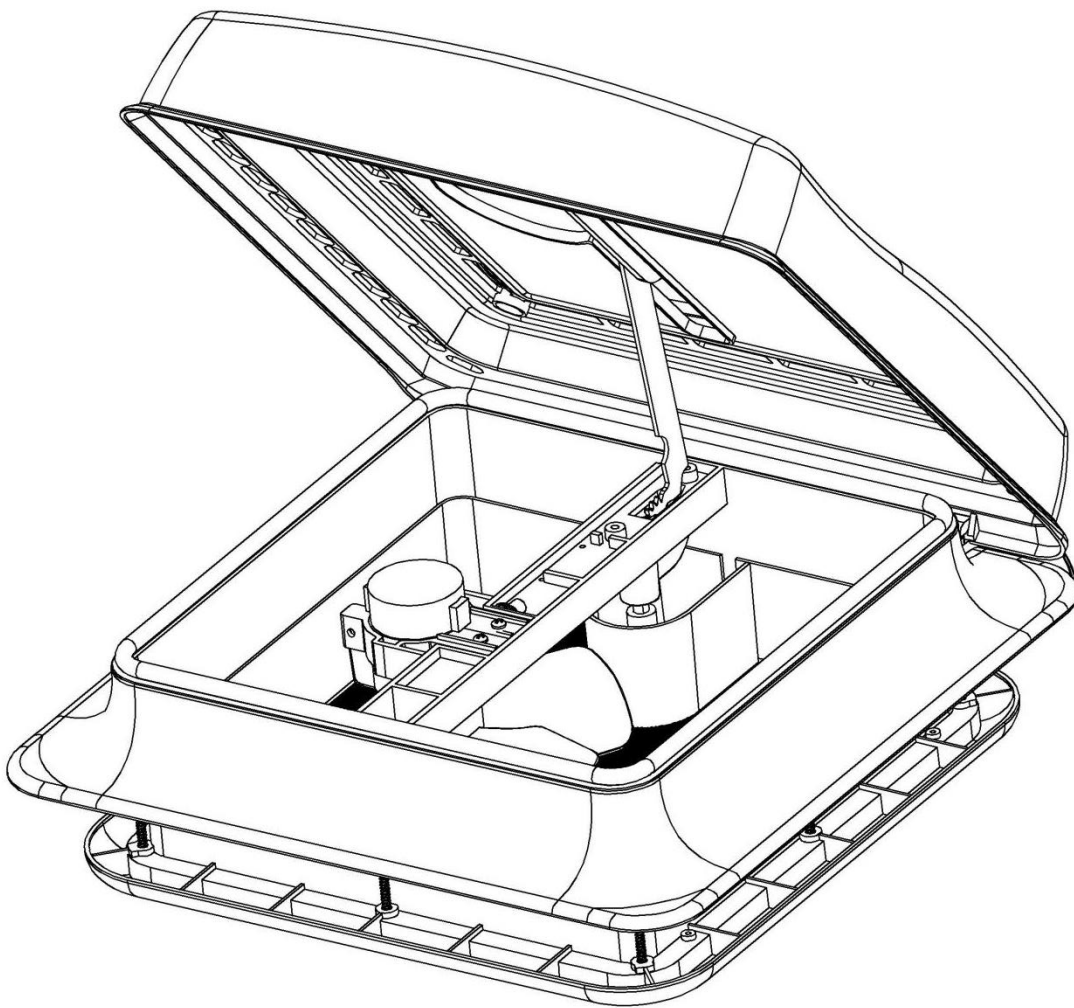


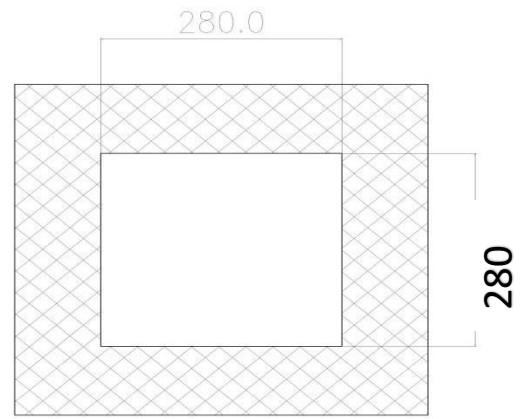
# 12V SHOWER HATCH

—Installation / Operation Menu



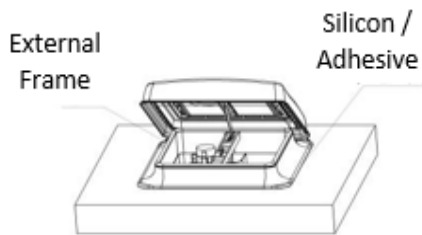
# 1. Product Information:

- 1. Cutout Dimensions: 280 x 280mm
- 2. Overall Dimensions: 365 x 365mm
- 3. Maximum Opening Angle:  $\leq 50^\circ$  ;
- 4. Roof Thickness: 25-60mm
- 5. Materials: ASA, PC;
- 6. Colour: White
- 7. Air Flow: 9 (m<sup>3</sup> /h);

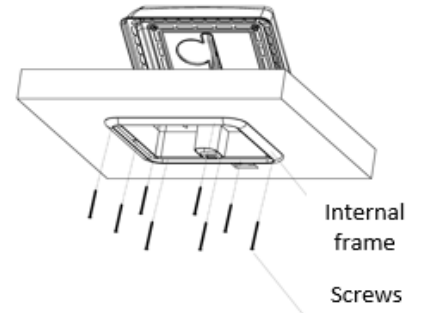


# 2. Installation:

Step 1: Place silicon /adhesive under the external frame and then place it into the cut out hole



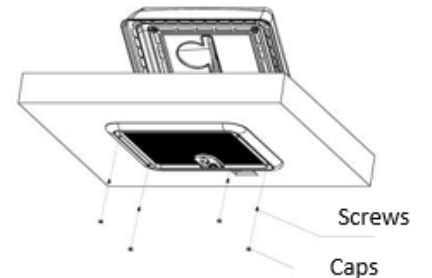
Step 2: Place the internal frame into the cut out hole and line up with the screw holes. Screw it in and do not over tighten.



Step 3: Place the T handle into the flyscreen hole provided and then apply the black rubber ring into the slot so the T handle will be secured / hold to the flyscreen



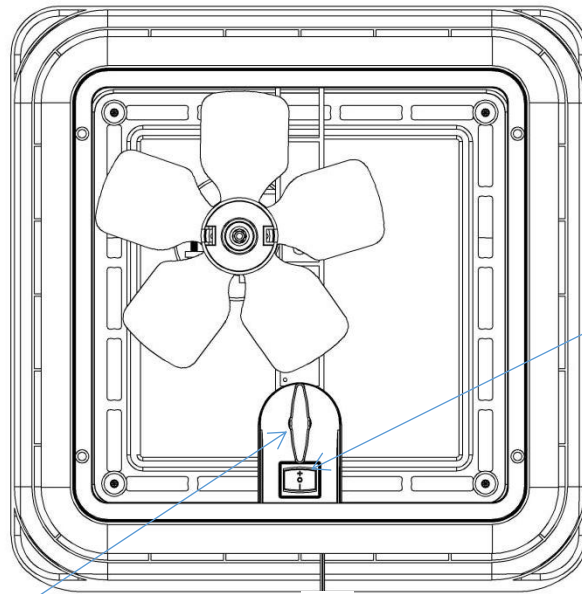
Step 4: Line up the T handle to the metal shaft and then screw the flyscreen to the internal frame



### 3. Operation

1. Fan switch, reversible control

2. Winder handle to open or close the lid



1. Fan Control

2. Winder Handle

**Caution: make sure close the hatch lid prior of travelling and ensure the lid is closed in the windy condition.**